

JOB NAME: _____

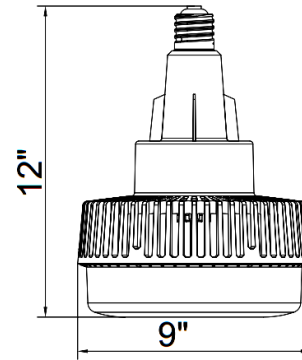
DATE: _____

TYPE: _____



DIMENSIONS:

12"(H) x 9"(D)



HPL-HB-140W-50K-E39

LED HIGH POWER LAMPS

Ideal for retrofitting existing HID high bay, it can be used in enclosed luminaires

ELECTRICAL SPECIFICATIONS:

- Voltage: 120-277VAC 50/60Hz
- Wattage: 140W
- Power factor: >0.90
- Efficacy: 108LM/W
- THD: 25%

HOUSING SPECIFICATIONS:

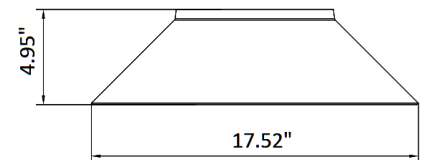
- Aluminum and PC Housing
- No fan housing (New Technology)
- Lamp base: E39 Mogul Base
- Operating temperature: -4°F ~ 122°F
- Lifespan: 50,000 hrs.
- IP rating: suitable for damp location

CERTIFICATIONS: UL, DLC



| MODEL | WATTS | VOLTAGE | LUMENS | COLOR TEMP |
|---------------------|-------|------------|---------|------------|
| HPL-HB-140W-50K-E39 | 140W | 120~277VAC | 15120LM | 5000K |

OPTIONAL ACCESSORIES:



| MODEL | DESCRIPTION |
|-----------|--------------|
| HPL-HB-R3 | PC Reflector |

LIGHTING SPECIFICATIONS:

- Total lumens: 15120LM
- Color temperature: 5000K
- Color rendering index: >80
- Beam Angle: 120°

WARRANTY: 5 years

